

SPEAKER SELECTOR

SS-9001

Thank you for purchasing TOA's Speaker Selector.
Please carefully follow the instructions in this manual to ensure long, trouble-free use of your equipment.

1. SAFETY PRECAUTIONS

- Before installation or use, be sure to carefully read all the instructions in this section for correct and safe operation.
- Be sure to follow all the precautionary instructions in this section, which contain important warnings and/or cautions regarding safety.
- After reading, keep this manual handy for future reference.



WARNING Indicates a potentially hazardous situation which, if mishandled, could result in death or serious personal injury.

- External wiring connected to the terminals marked with ⚡ requires installation by an instructed person.

2. GENERAL DESCRIPTION

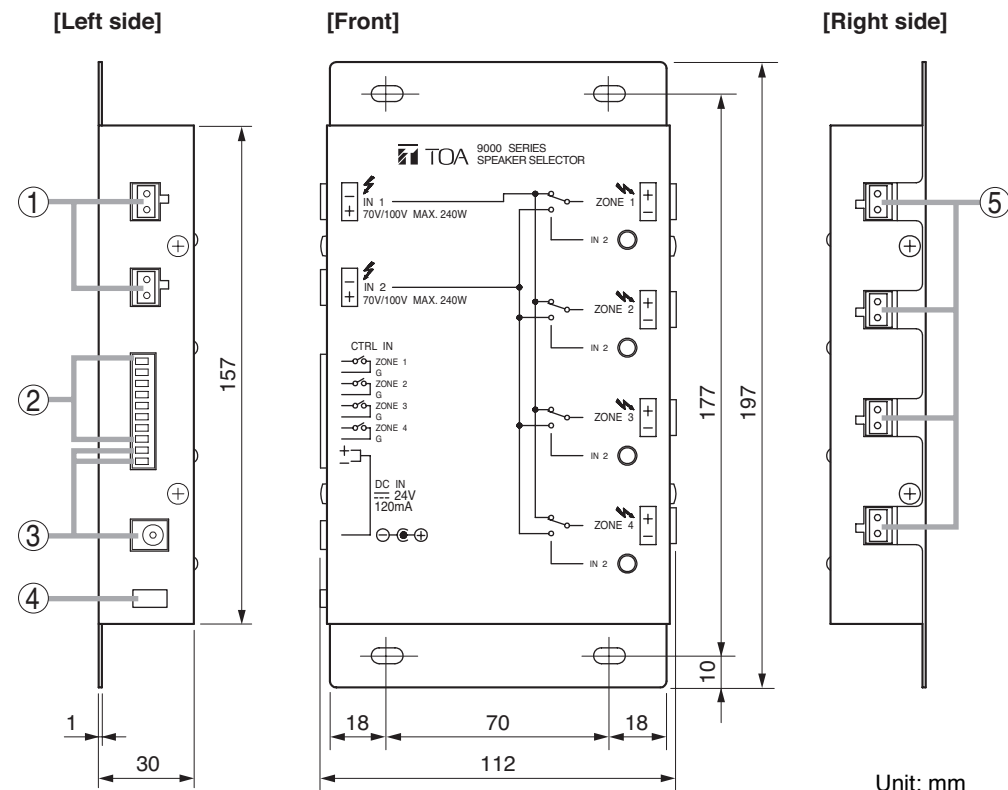
The SS-9001 is a speaker selector used with 9000 series amplifier. It selectively distributes each of 2 inputs to the same 4 output zones.

3. SPECIFICATIONS

Power Source	Supplied from the optional AD-246 AC adapter or an external 24 V DC/200 mA power supply.
Current Consumption	120 mA
Control Signal	No-voltage make contact input (polarized), open voltage: 24 V DC, short-circuit current: 3 mA
Control Power	Under 240 W (70 V/100 V line)
Speaker Terminal	Removable terminal block (2 pins)
Control Terminal	Removable terminal block (10 pins)
Operating Temperature	-10 to +40°C
Finish	Case: Surface-treated steel plate
Dimensions	112 (w) x 197 (h) x 30 (d) mm
Weight	530 g
Accessories	Removable terminal plug (2 pins) x 6, Removable terminal plug (10 pins) x 1, Cord clamp x 1, Tapping screw (4 x 20) x 4

Note: The design and specifications are subject to change without notice for improvement.

4. NOMENCLATURE AND FUNCTIONS



1. Speaker input terminals [IN 1, IN 2]

2-pin removable terminal blocks. Connect the speaker output (high impedance line, up to 240 W) from the power amplifier to each terminal. Short the IN 2 terminal's pins when only the IN 1 terminal is used.

2. Control input terminal [CTRL IN]

8 pins in the 10-pin removable terminal block. Receives the control signals (polarized non-voltage contacts) from the ZP-001T when the 9000 series amplifier is in the Matrix "Sub-Mode" (single output or BGM/PAGE), and activates the inner relays. This terminal can also receive control signals from the control output terminals of the 9000 series amplifier or C-001T Control I/O Expansion Module. (For details, refer to the 9000 series amplifier's instruction manual.)

3. DC power input terminals [DC IN]

Requires the power input of 24 V DC. DC input terminal or 2 pins in the 10-pin removable terminal block. Connect the power source that can supply 200 mA or more to this terminal. The optional AD-246 AC Adapter can be used for the power supply.

4. Cord clamp

Fixes the AC adapter's power cord.

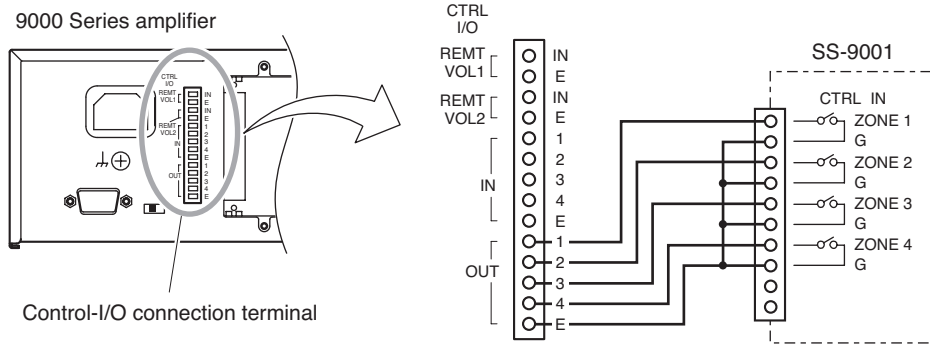
5. Speaker output terminals [ZONE 1/2/3/4]

2-pin removable terminal blocks. Connect speakers to each terminal, which is capable of delivering 240 W output on a line.

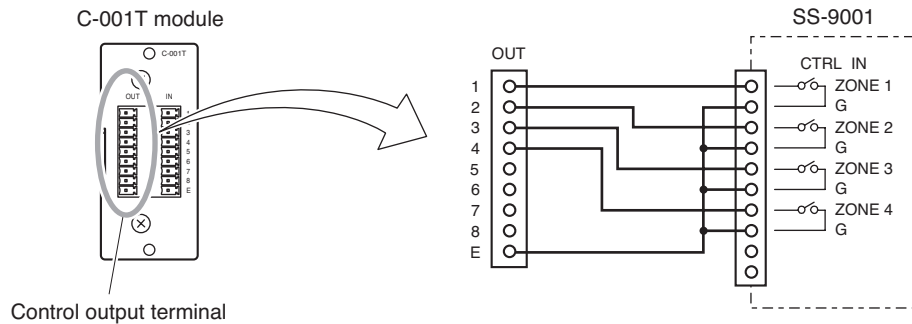
5. CONNECTIONS

The control input terminals of SS-9001 are polarized non-voltage contact inputs. With the output terminal setting in the 9000 series amplifier, the SS-9001's internal relays can be activated. Make necessary connections depending on applications.

5.1. Connecting the 9000 Series Amplifier



5.2. Connecting the C-001T Module



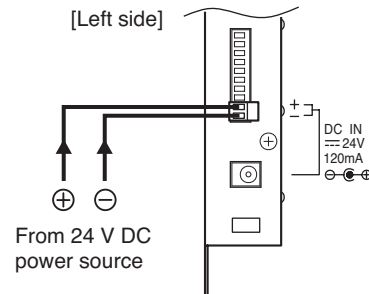
6. POWER SOURCE CONNECTIONS

6.1. When Using a 24 V DC Power Source

Connect a 24V DC power source to the SS-9001's DC power input terminal shown at right.

Notes

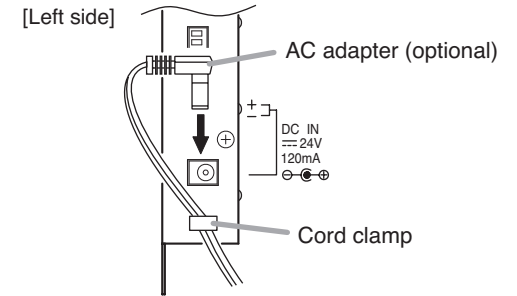
- The DC power supply unit should be capable of supplying 200 mA or more.
- The DC power fed to this terminal should be from 21.6 to 26.4 V. If the input voltage exceeds this range, the SS-9001 may malfunction or fail.



6.2. When Using the Optional AC Adapter

Connect the optional AD-246 AC Adapter to the SS-9001's DC power input terminal shown at right.

Pinch the adapter cord with the cord clamp to securely fix the cord.



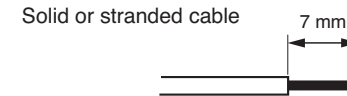
7. REMOVABLE TERMINAL PLUG CONNECTION

Be sure to use the supplied removable terminal plugs for connections to the removable terminal blocks.

Caution

Avoid soldering stranded cable, as contact resistance may increase when the cable is tightened and the solder is crushed, possibly resulting in an excessive rise in joint temperatures.

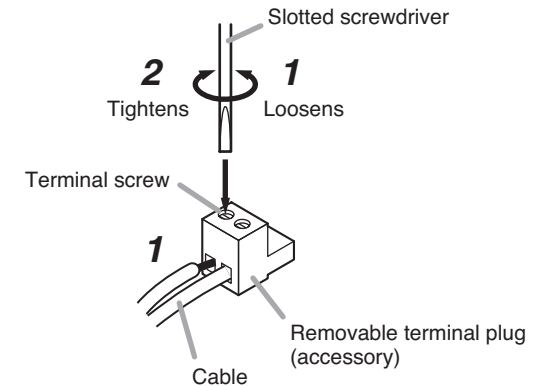
[Cable end treatment]



[Connector connection]

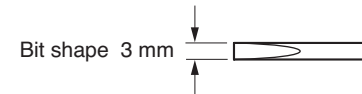
Step 1. Loosen the terminal screw, then insert the cable.

Step 2. Loosen the terminal screw, then insert the cable. (Pull on the cable to ensure it is securely connected.)



Tip

Recommended slotted screwdriver type:
Screwdriver with 3 mm blade width



Traceability Information for Europe (EMC directive 2004/108/EC)

Manufacturer:
TOA Corporation
7-2-1, Minatojima Nakamachi, Chuo-ku, Kobe, Hyogo,
Japan

Authorized representative:
TOA Electronics Europe GmbH
Suederstrasse 282, 20537 Hamburg,
Germany